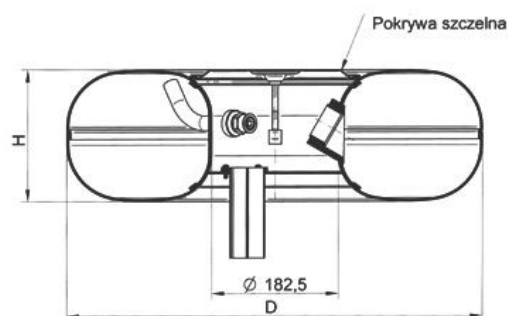


T02

Toroidal LPG tanks with air-tight cover, for multivalves



APPLICATION:

Liquid gas propane-butane mixture storage for admission of petrol engines in passenger cars, commercial and delivery vehicles.

STANDARD TANK:

1. Manufactured according to UN ECE 67R.01
2. Equipped with STAKO safety valve
3. Colour satin black RAL 9005

TECHNICAL DATA:

Class 1
Design and test pressure: 3000 kPa
Working pressure: max. 2000 kPa

OPTIONS:

1. Different colour

HOW TO ORDER:

T Diameter Capacity Version

I.E. T52003602

DIMENSIONS:

| Part number | Diameter D [mm] | Capacity V [l] | Mass [kg] | Height H [mm] |
|-------------|-----------------|----------------|-----------|---------------|
| T52003602 | 520 | 36 | 22,5 | 225 |
| T56503402 | 565 | 34 | 22 | 180 |
| T58004002 | 580 | 40 | 23 | 200 |
| T58004602 | 580 | 46 | 25 | 225 |
| T60003902 | 600 | 39 | 21,5 | 190 |
| T60004202 | 600 | 42 | 22 | 200 |
| T60004702 | 600 | 47 | 23,5 | 220 |
| T60004902 | 600 | 49 | 24 | 230 |
| T60005402 | 600 | 54 | 25 | 250 |
| T60005902 | 600 | 59 | 26 | 270 |

STAKO sp.j.
Poznańska 54
76-200 Słupsk
Poland

tel.: +48 59 8424895
fax: +48 59 8481999

stako@stako.pl
www.stako.pl



| | | | | |
|-----------|-----|----|------|-----|
| T63004302 | 630 | 43 | 24 | 190 |
| T63004702 | 630 | 47 | 25 | 204 |
| T63005302 | 630 | 53 | 26 | 225 |
| T63006002 | 630 | 60 | 27 | 250 |
| T63006502 | 630 | 65 | 30 | 270 |
| T65005002 | 650 | 50 | 28 | 200 |
| T65005502 | 650 | 55 | 30 | 220 |
| T65006102 | 650 | 61 | 32 | 240 |
| T65007002 | 650 | 70 | 34 | 270 |
| T72007302 | 720 | 73 | 38 | 230 |
| T72007702 | 720 | 77 | 39 | 240 |
| T72008002 | 720 | 80 | 40 | 250 |
| T72008802 | 720 | 88 | 41,5 | 270 |

STAKO sp.j.
Poznańska 54
76-200 Słupsk
Poland

tel.: +48 59 8424895
fax: +48 59 8481999

stako@stako.pl
www.stako.pl

